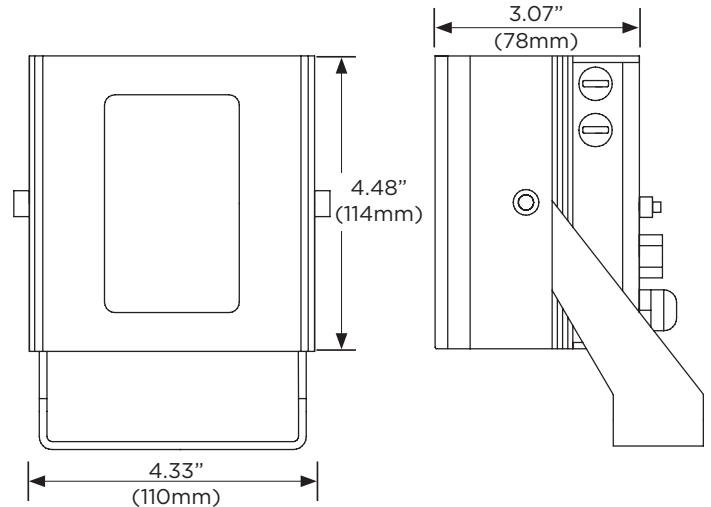




### Dimensions

unit: Inch (mm)



### Summary

The DW-ILWLIPM is an NDAA/TAA compliant IP-enabled white light LED outdoor illuminator. The illuminator incorporates the latest surface mount Dual-Core™ LEDs, combined with enhanced optical output and outstanding reliability to provide users with smart lighting solutions for a wide range of applications. The DW-ILWLIPM lighting includes an interchangeable lens pack to deliver a variety of angles out of the box providing users the flexibility to create different elliptical beam profiles. Using PoE and IP communication, the SiteWatch™ illuminators support direct integration with DW Spectrum® IPVMS.

### Features

- White light LED illuminators
- Interchangeable lens pack to deliver a variety of angles out of the box
- Create different elliptical beam profiles
- Coverage distance up to 374' (115m). See table on page 2.
- Configure lights to switch on when motion is detected
- Activate white light to deter intruders
- Adjustable photocell and illumination levels
- Visible spectrum wavelength (400- 750nm)
- Web interface built-in
- High-power Dual-Core™ LEDs, with advanced, current limited, integral control circuitry
- NDAA/TAA compliant
- IP66 environmental-rated dust-tight and water-resistant
- IK 09-rated impact-resistant

### Specifications

|                             |  |
|-----------------------------|--|
| Construction                | Robust high-quality aluminum extrusion   |
| Photocell                   | Adjustable 20 - 70 lux   |
| Illumination                | Adjustable 10% - 100%  |
| Operating temperature       | -58°F to 122°F (-50°C to 50°C)   |
| Mount                       | Powder coated stainless steel wall mount   |
| Input                       | PoE+ (IEEE802.3at)   |
| Consumption                 | 26W  |
| IP rating                   | IP66 environmental-rated dust-tight and water-resistant in accordance with EN60529;1992                              |
| Electronics                 | High efficiency surface mount high power Dual-Core™ LEDs with advanced, current limited, integral control circuitry. |
| Lumen output                | 2400 lm  |
| Color temperature           | 5700K (6000K and 6500K options available to order)   |
| Color rendering index (CRI) | Typically 80   |
| Recommended PSU             | Any IEEE 802.3at injector (not included)   |
| Remote access               | Web browser user interface. No software or installation needed.  |
| Warranty                    | 2 year warranty  |

### Accessories (optional)



DW-ILWM1  
Mounting bracket for a single (1) illuminator



DW-ILWM3  
Mounting bracket for a three (3) illuminators



DW-ILWM2  
Mounting bracket for a two (2) illuminators



DW-ILPM1  
Pole mount bracket for a single (1) illuminator

(see second page for coverage details).

| Product Code | Angle            | Distance |      | FOV |      |
|--------------|------------------|----------|------|-----|------|
| DW-ILWLIPM   | 10° - Circular   | 114m     | 374' | 20m | 65'  |
|              | 20° - Elliptical | 76m      | 249' | 27m | 88'  |
|              | 30° - Elliptical | 67m      | 218' | 36m | 117' |
|              | 60° - Elliptical | 48m      | 156' | 55m | 180' |
|              | 80° - Elliptical | 38m      | 125' | 64m | 209' |
|              | 95° - Elliptical | 29m      | 94'  | 62m | 204' |



Increase sales and profitability. Sign up and become a DW Channel Partner today!



☎: 866.446.3595

✉: [sales@digital-watchdog.com](mailto:sales@digital-watchdog.com)

🌐: [www.digital-watchdog.com](http://www.digital-watchdog.com)

