

DW[®] Universal HD over Coax[®]
indoor dome cameras

DWC-D3263TIR



WHAT'S IN THE BOX

Screws and plastic anchors- 2pcs		1 Set	Mounting template		1
Test video cable		1	Quick set up guide		1
DC plug cable		1			

NOTE: Download all your support materials and tools in one place.

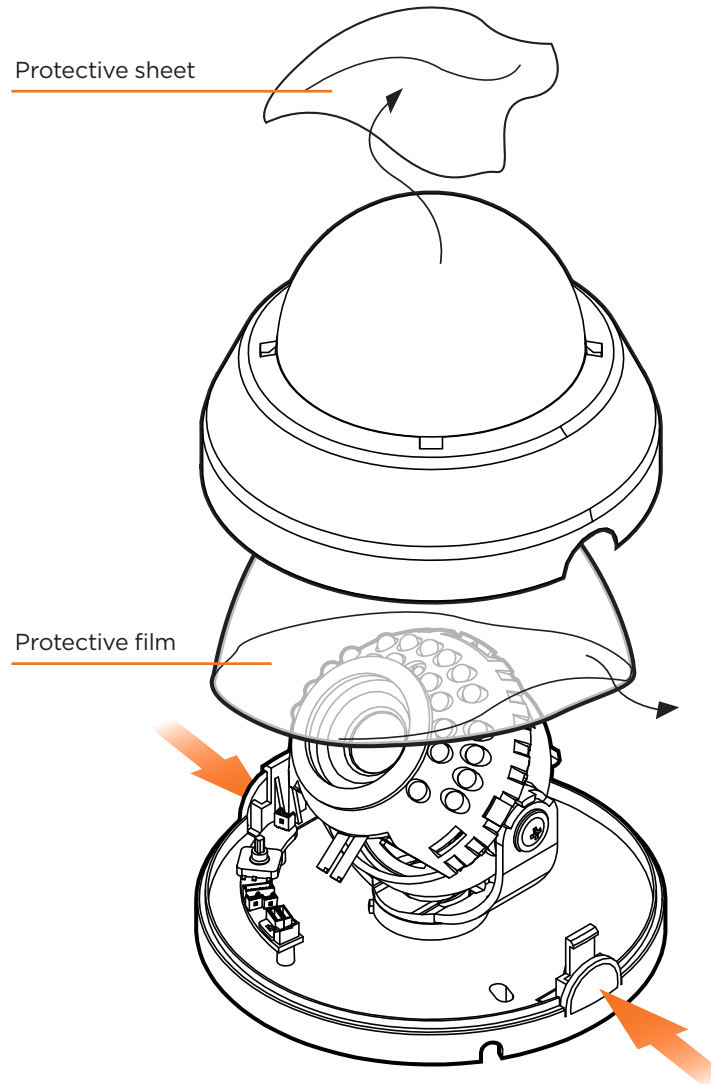
1. Go to: <http://www.digital-watchdog.com/resources>
2. Search your product by entering the part number in the 'Search by Product' search bar. Results for applicable part numbers will populate automatically based on the part number you enter.
3. Click 'Search'. All supported materials, including manuals and quick set up guide (QSGs) will appear in the results.



Attention: This document is intended to serve as a quick reference for initial set up. It is recommended that the user read the entire instruction manual for complete and proper installation and usage.

STEP 1 - PREPARING TO MOUNT THE CAMERA

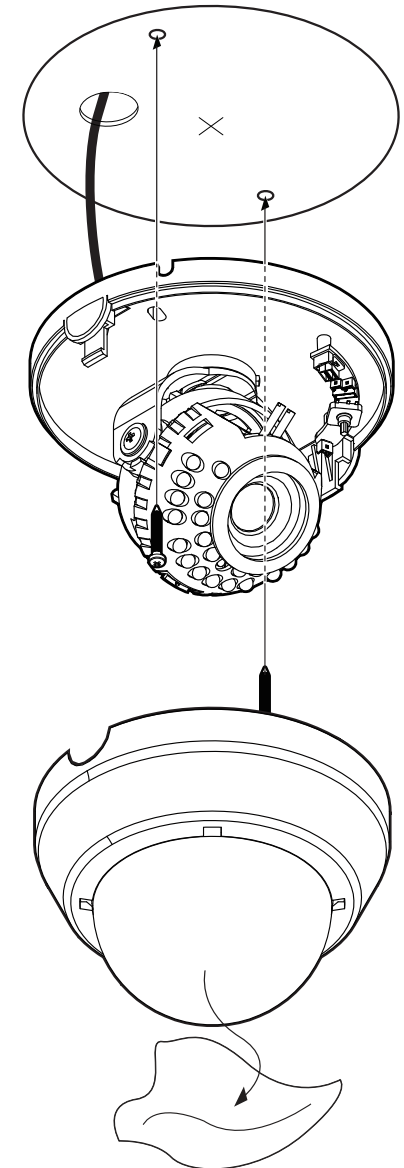
1. The mounting surface must withstand five times the weight of your camera.
2. Pay attention to the cables. They can easily become caught and damaged. Any damage may cause a short or fire.
3. Detach the camera's dome cover by pressing on both sides of the dome cover.
4. This product is intended to be supplied by a UL Listed Power Supply Unit marked "Class 2" or "LPS" or "PS2" and rated 12 Vdc, 0.30A min.



STEP 2 - CABLING THE CAMERA TO EXTERNAL DEVICES

Pass the wires through the mount bracket and make all necessary connections. Connect the BNC cable and power cables to the camera.

Power Requirements	Power Consumption
12VDC ONLY! CAUTION! The camera supports DC power supply only	DC12V (LED off): 1.86W DC12V (LED on): 3.6W

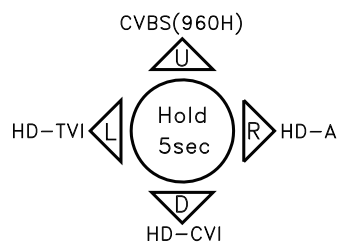


STEP 3 - CHANGING THE SIGNAL IN THE CAMERA

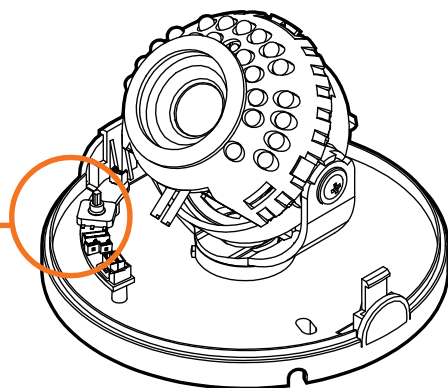
1. The camera supports HD-Analog, HD-CVI and HD-TVI signals. To switch between the signals:

- a. Remove the camera's dome to access the joystick and OSD control on the base of the camera.
- b. Use the OSD Switch to switch the camera's signal.

- To switch the camera to HD-TVI mode, press OSD joystick to the left for 5 seconds.
- To switch the camera to HD-Analog mode, press OSD joystick to the right for 5 seconds.
- To switch the camera to CVBS mode, press OSD joystick up for 5 seconds.
- To switch the camera to HD- CVI mode, press OSD joystick down for 5 seconds.



Test video output and OSD joystick controller



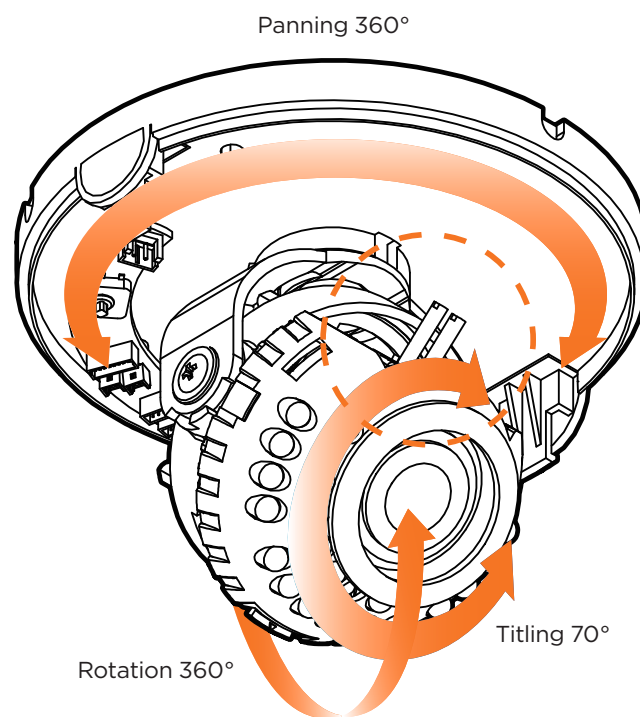
STEP 4 - INSTALLING THE CAMERA

1. Once all cables have been connected, use the screws included with the camera to properly mount and secure the camera to the mounting surface.
2. Adjust the camera's pan, tilt and position to achieve the desired view. The cameras' max angles are:

Pan: 0° - 360°

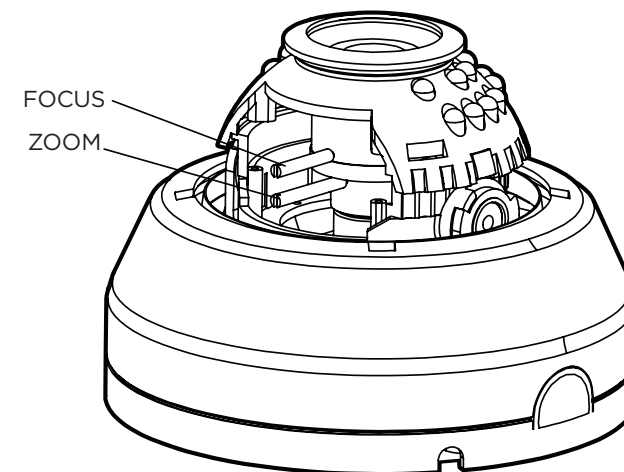
Tilt: 0° - 70°

Rotation: 0° - 360°



3. To adjust the camera's focus and zoom:

- a. Unlock the zoom or focus screws by rotating them counter-clockwise.
- b. Adjust the zoom and focus screws at the base of the camera module to achieve a clear image.
- c. Tighten the screws and close the front case by rotating it clock-wise.



4. Once the installation is complete, remove the protective film from the camera's dome cover.
5. Once the installation is complete, remove the protective film from the camera's dome cover.